
SIGNATURE 809
SIGNATURE 607
SIGNATURE 603

BEDIENUNGSANLEITUNG/GARANTIEURKUNDE

OWNER'S MANUAL/WARRANTY DOCUMENT

MODE D'EMPLOI/CERTIFICAT DE GARANTIE

Magnat[®]









Bitte führen Sie das Gerät am Ende seiner Lebensdauer den zur Verfügung stehenden Rückgabe- und Sammelsystemen zu.

At the end of the product's useful life, please dispose of it at appropriate collection points provided in your country.

Une fois le produit en fin de vie, veuillez le déposer dans un point de recyclage approprié.



RACCOLTA CARTA	RACCOLTA PLASTICA	RACCOLTA CARTA	RACCOLTA TESSUTO	RACCOLTA PLASTICA	RACCOLTA CARTA
 PAP20 Scatole	 PS6 Cuneo	 PAP21 Cuneo	 TEX52 Sacchetto (per prodotto)	 LDPE4 Sacchetto (per accessori)	 PAP22 Carta
RACCOLTA DIFFERENZIATA / VERIFICARE LE DISPOSIZIONI DEL PROPRIO COMUNE. RIDUCI IL VOLUME DELLA SCATOLA.	VERIFICARE LE DISPOSIZIONI DEL PROPRIO COMUNE.	VERIFICARE LE DISPOSIZIONI DEL PROPRIO COMUNE.	VERIFICARE LE DISPOSIZIONI DEL PROPRIO COMUNE. SVUOTA L'IMBALLAGGIO DEL SUO CONTENUTO.	VERIFICARE LE DISPOSIZIONI DEL PROPRIO COMUNE. SVUOTA L'IMBALLAGGIO DEL SUO CONTENUTO.	RACCOLTA DIFFERENZIATA / VERIFICARE LE DISPOSIZIONI DEL PROPRIO COMUNE.

Dear MAGNAT Customer,

Congratulations on your fine new loudspeakers and thank you very much for choosing MAGNAT! You have made an excellent choice. The high-quality speakers produced by MAGNAT are renowned all over the world.

Please study the instructions and information below carefully before using your new loudspeakers.

FITTING THE FEET (SIGNATURE 809)

The 2 feet included in the delivery package must be fitted to the loudspeaker before use. To do this, place the speakers on a clean, stable base with the bottom facing upwards. It is better not to remove the protective bag until after fitting has been completed so as to avoid damage to the paint surface.

First fit the four metal spikes to the two traverses, as shown in Fig. 1a: Two spikes each (x) are screwed into the threaded holes in the traverses (y) from below as far as they will go. From above, the lock screw (z) is then fitted and tightened.

Now fit the two pre-assembled feet using the screws provided, as shown in Fig. 1a.

The metal spikes (x) are height-adjustable so as to guarantee the stability of the speaker. To do this, loosen the top lock nut (z) and adjust the spike by turning it. Once the right setting has been found, tighten the lock nut again.

Rubber inserts are screwed into the bottom of the cone spikes. These ensure optimum stability on smooth, hard floor coverings, such as laminate or tiles. The rubber inserts can be replaced with metal inserts (included in the package). This variation is better suited for carpets, for example.

FITTING THE FEET (SIGNATURE 607)

The (2) feet included in the delivery package must be fitted to the loudspeaker before use. To do this, place the speakers on a clean, stable base with the bottom facing upwards. It is better not to remove the protective bag until after fitting has been completed so as to avoid damage to the surface. Now fit the two pre-assembled feet using the M6 screws provided, as shown in Fig. 1b.

You should use the supplied spikes when setting the speakers up. This isolates them from the supporting surface, preventing unpleasant resonance effects. You can choose between metal and hard rubber spikes for the standing speakers. The spikes are screwed into the threaded sleeves in the feet from below and tightened from above with the locking nut.

GENERAL INFORMATION ABOUT CONNECTING YOUR MAGNAT SIGNATURE LOUDSPEAKERS

Warning: Only hi-fi amplifier loudspeaker outputs may be connected to the SIGNATURE loudspeaker terminal.

Please always use a good quality loudspeaker connection cable from an audio dealer. To prevent impairment of sound quality, we recommend cables with cross-sections of at least 2.5 mm² for lengths up to 3 m and at least 4 mm² for lengths above 3 m.

Always turn off the amplifier or receiver before connecting or disconnecting loudspeaker cables. Place the loudspeakers in their planned positions and cut the cables to the right length. The cables for both channels should always be exactly the same length.

Strip 10 – 15 mm of insulation from the ends of the cables. Twist the ends – this is much better than tinning them with solder – insert them in the terminals and tighten the terminal screws firmly. (Fig. 2)

For good sound it is imperative that the cables must be connected in such a way that the speakers are “in phase”. This means that the black negative terminals on the speakers (-) must be connected to the negative (-) terminals on the amplifier, the red positive (+) speaker terminals to the positive (+) amplifier terminals. To make this easier one wire of most speaker cables is marked with a coloured strip or a ridge in the insulation.

Before switching on the system double-check all your connections and make sure that the terminal screws are tight and that there are no short circuits caused by stray wire filaments – this could cause serious damage to your amplifier!

MAGNAT SIGNATURE - BI-WIRING AND BI-AMPING

Bi-wiring means using separate cables to carry the high and low audio frequencies. Bi-amping takes this idea one step further and uses separate power amplifiers as well as separate cables for high and low frequencies. Bi-amping in particular produces an additional improvement in sound reproduction quality.

The special connection terminals of the SIGNATURE loudspeakers support both conventional connection and operation in bi-wiring and bi-amping modes. There are four screw terminals on each speaker. The top pair are for the tweeter (high frequencies), the lower pair for the woofer (low frequencies). The factory-installed cables strips connecting the positive and negative terminals are for conventional 2-wire connection and must be removed for bi-wiring and bi-amping operation. The pictures below show the correct set-up for conventional operation (fig. 3a), bi-wiring (fig. 3b) and bi-amping (fig. 3c).

THE MAGNAT SIGNATURE LOUDSPEAKERS IN STEREO MODE

In the ideal configuration the speakers and the listening position should form an equilateral triangle. When the left and right speakers are the same distance from the listening position their sound arrives at the same time, resulting in a harmonious, natural music reproduction. (Fig. 4)

There should be a clear line of sight between the loudspeakers and the listening position. Any sound-absorbing or reflecting obstacles in the path will distort the sound. When you install the loudspeakers the following distances should be maintained:

Signature floorstanders: at least 20 cm away from the rear wall and at least 30 cm from the side walls. This will prevent excessive emphasis of the bass range.

Signature bookshelf speakers: shelf loudspeakers should also be as free-standing as possible, the distance to the sides and rear to walls and items should be at least 10 cm, the tweeters should be located at ear height.

MAGNAT SIGNATURE LOUDSPEAKERS AS A FRONT OR REAR LOUDSPEAKER

The front loudspeakers are positioned at ear height on the left and right as equidistant from the television as possible. The rear loudspeakers are placed at ear height or a little above on the left and right besides or better behind the listening position. (Fig. 4)

CONNECTING TO AN AV RECEIVER

Fig. 5 shows the connecting to an AV receiver. Please also refer to your receiver's/amplifier's instructions.

MAINTENANCE

The lacquered surface is best cleaned with a mild household cleaner. On no account use furniture polish or similar products on these surfaces.

HOW TO AVOID DAMAGE TO YOUR VALUABLE SPEAKERS

All MAGNAT loudspeakers are designed and built for optimum sound reproduction with the tone controls in the central position – i.e. with “linear” amplifier output. Turning up the bass and treble controls too far delivers more power to the woofers and/or tweeters, and at high volumes this can actually destroy the speaker units!

If the output of your amplifier is significantly higher than the rated power handling capacity of your speakers extremely high volumes can physically destroy your speakers. This doesn't actually happen often but you should be aware that it is possible.

Weak amplifiers with low output ratings can actually be more dangerous for your speakers at medium volumes because weak amplifiers may overload much faster than powerful ones and this causes measurable and audible distortion, which is extremely dangerous to your loudspeakers.

Always turn the volume down immediately as soon as you hear distortion! If you like listening to loud music make sure that your amplifier can deliver at least as much power as the speakers' power-handling rating.

THE SOUND YOU CAN'T HEAR...

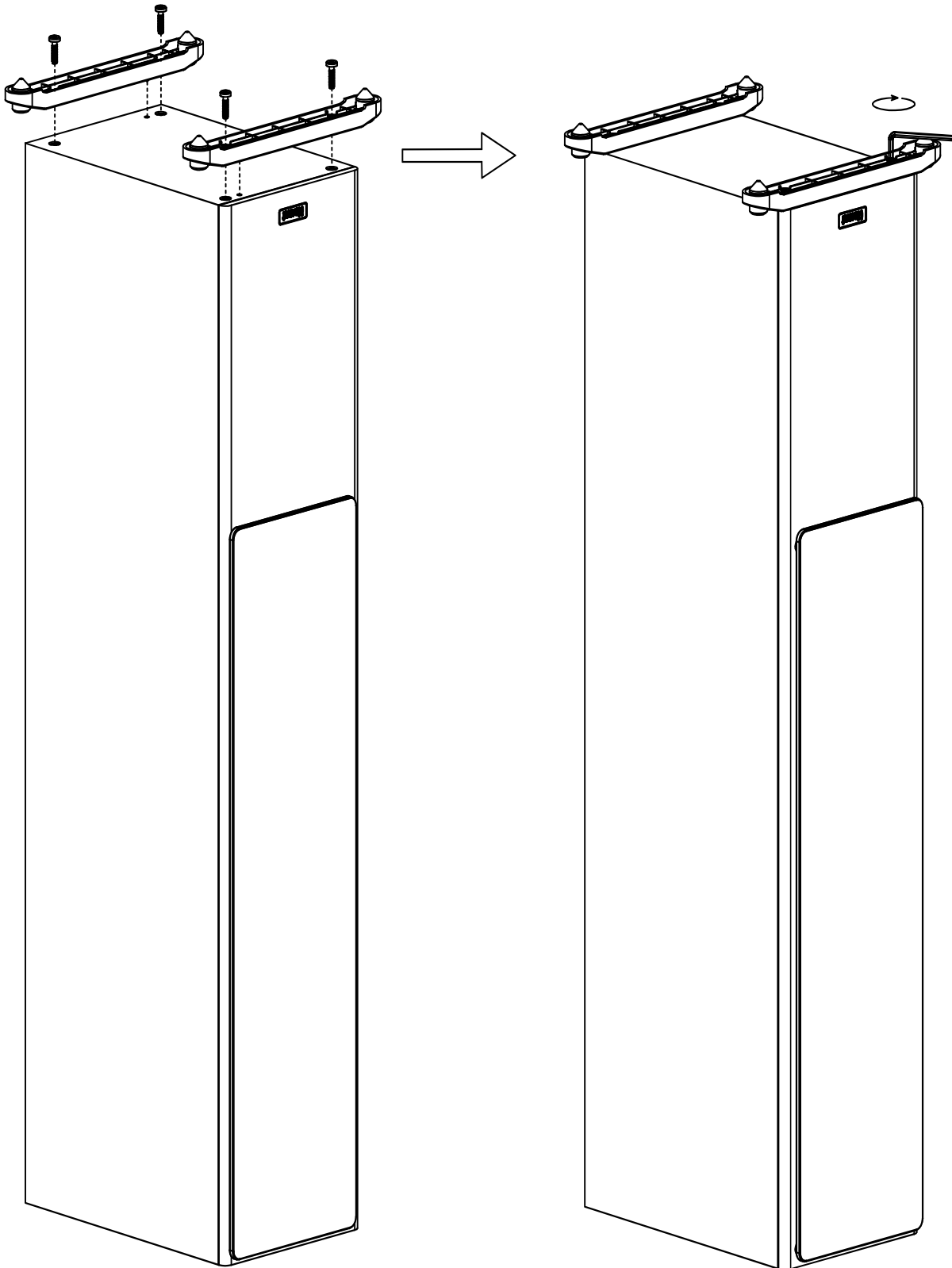
Amplifiers, tuners and CD players can all produce inaudible high-frequency signals – and this doesn't only apply to cheap products. If your tweeters fail at low or medium volumes you should have a qualified technician check your system components for dangerous inaudible signals.

SPECIFICATIONS

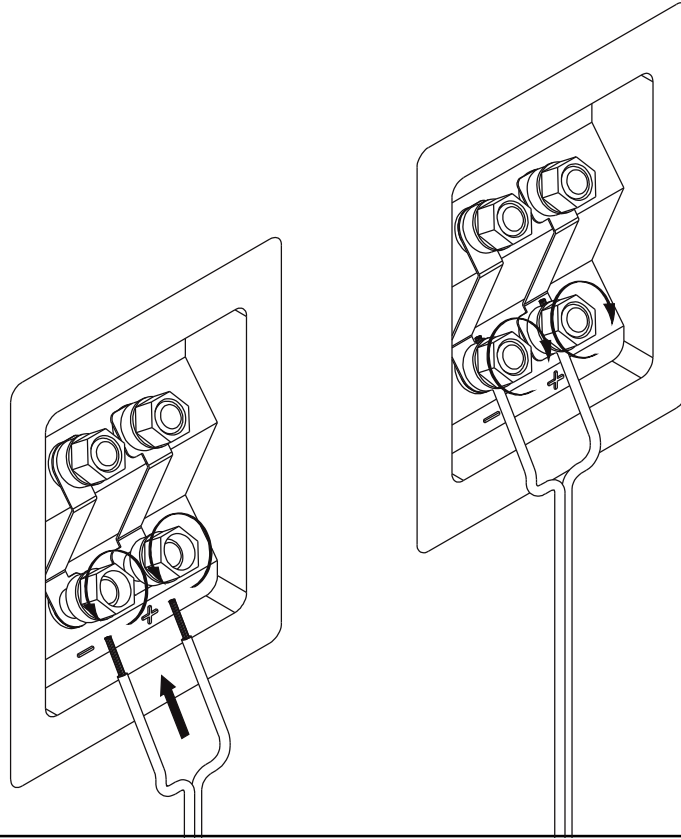
	Signature 809	Signature 607	Signature 603
Configuration:	4 way bass reflex	4 way bass reflex	3 way bass reflex
Power-handling capacity:	220 / 380 watts	200 / 350 watts	100 / 170 watts
Impedance:	4 – 8 ohms	4 – 8 ohms	4 – 8 ohms
Frequency response:	22 – 54 000 Hz	25 – 52000Hz	32 – 52 000 Hz
Recommended amplifier output:	> 30 watts	> 30 watts	> 20 watts
Efficiency (2.8V / 1m):	92 dB	92 dB	90 dB
Dimensions (WxHxD):	290 x 1070 x 345 mm	286 x 1070 x 332	205 x 365 x 282 mm
Accessory:	Metal spikes Rubber spikes	Metal spikes Rubber spikes	

Subject to technical change.

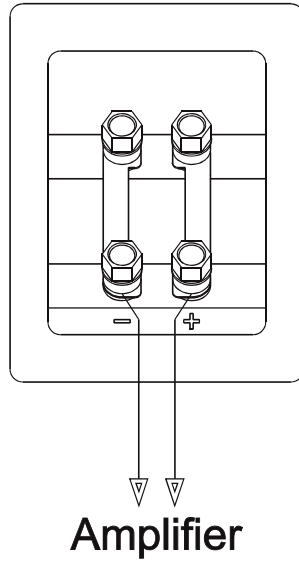
1b (SIGNAUTRE 607)



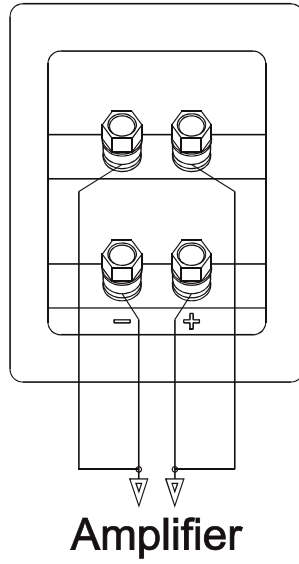
2



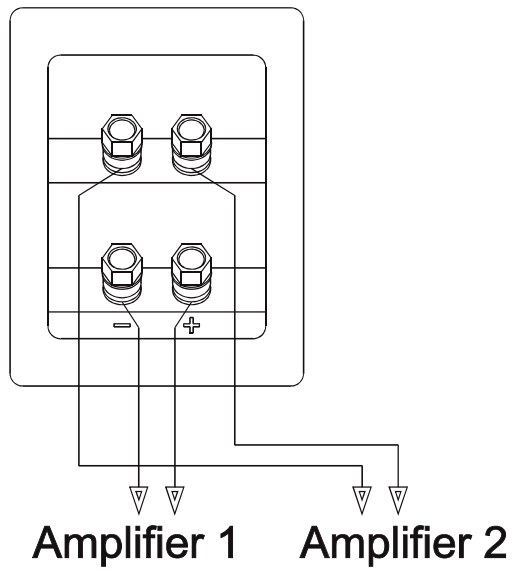
3a



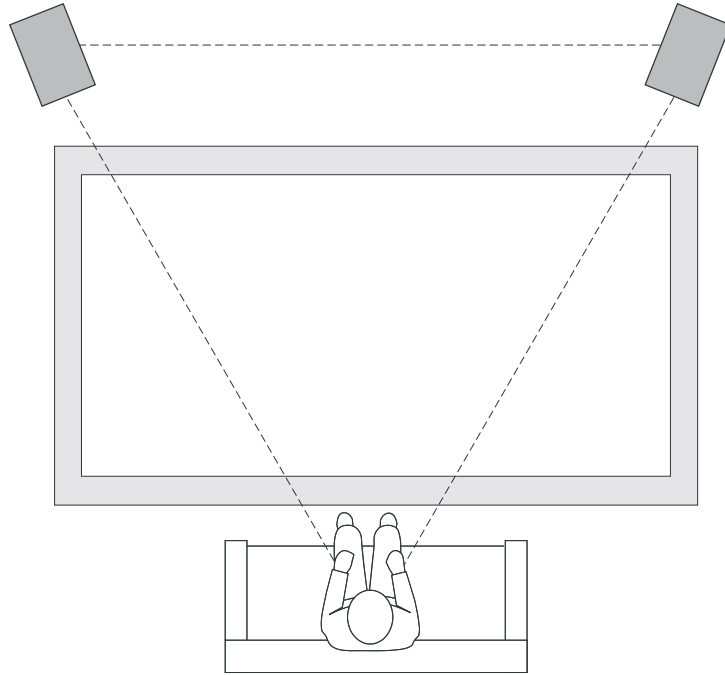
3b



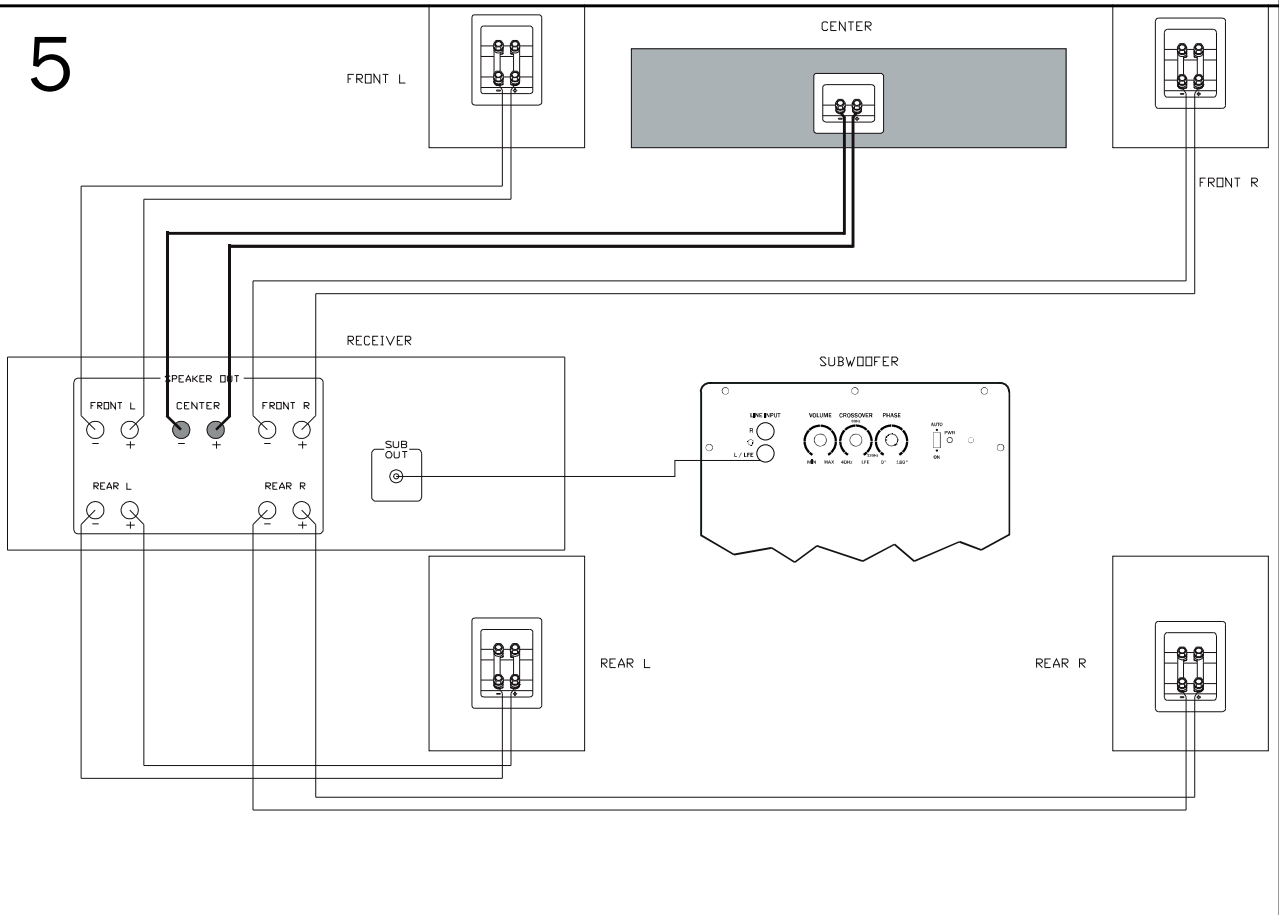
3c



4



5



D

Wir gratulieren Ihnen! Durch Ihre kluge Wahl sind Sie Besitzer eines MAGNAT HiFi-Produktes geworden.

MAGNAT HiFi-Produkte erfreuen sich aufgrund der hohen Qualität eines ausgezeichneten Rufes weltweit. Dieser hohe Qualitätsstandard ermöglicht es für MAGNAT HiFi-Lautsprecher 5 Jahre und für Magnat HiFi-Elektronik 2 Jahre Garantie zu gewähren.

Die Produkte werden während des gesamten Fertigungsvorganges laufend kontrolliert und geprüft. Im Servicefall beachten Sie bitte folgendes:

1. Die Garantiezeit beginnt mit dem Kauf des Produktes und gilt nur für den Erstbesitzer.
2. Während der Garantiezeit beseitigen wir etwaige Mängel, die nachweislich auf Material- oder Fabrikationsfehler beruhen, nach unserer Wahl durch Austausch oder Nachbesserung der defekten Teile. Weitergehende Ansprüche, insbesondere auf Minderung, Wandlung, Schadenersatz oder Folgeschäden sind ausgeschlossen. Die Garantiezeit wird von einer Garantieleistung durch uns nicht berührt.
3. Am Produkt dürfen keine unsachgemäßen Eingriffe vorgenommen worden sein.
4. Bei Inanspruchnahme der Garantie wenden Sie sich bitte zunächst an Ihren Fachhändler. Sollte es sich als notwendig erweisen, das Produkt an uns einzuschicken, so sorgen Sie bitte dafür, dass • das Produkt in einwandfreier Originalverpackung verschickt wird, • die Kontrollkarte ausgefüllt dem Produkt beiliegt, • die Kaufquittung beigelegt ist.
5. Von der Garantie ausgenommen sind: • Leuchtmittel • Verschleißteile • Transportschäden, sichtbar oder unsichtbar (Reklamationen für solche Schäden müssen umgehend bei der Transportfirma, Bahn oder Post eingereicht werden.) • Kratzer in Metallteilen, Frontabdeckungen u.s.w. (Diese Defekte müssen innerhalb von 5 Tagen nach Kauf direkt bei Ihrem Händler reklamiert werden.) • Fehler, die durch fehlerhafte Aufstellung, falschen Anschluss, unsachgemäße Bedienung (siehe Bedienungsanleitung), Beanspruchung oder äußere gewaltsame Einwirkung entstanden sind. • Unsachgemäß reparierte oder geänderte Geräte, die von anderer Seite als von uns geöffnet wurden. • Folgeschäden an fremden Geräten • Kostenerstattung bei Schadensbehebung durch Dritte ohne unser vorheriges Einverständnis.

GB

Congratulations! You have made a wise selection in becoming the owner of a MAGNAT HiFi equipment. Due to high quality MAGNAT products have earned an excellent reputation through the western world. And this high quality standard enables us to grant a 5-years warranty for MAGNAT HiFi speakers and a 2-years warranty for Magnat HiFi-electronic components.

The equipments are checked and tested continuously during the entire production process. In case you have problems with your MAGNAT HiFi equipment, kindly observe the following:

1. The guarantee period commences with the purchase of the component and is applicable only to the original owner.
2. During the guarantee period we will rectify any defects due to faulty material or workmanship by replacing or repairing the defective part at our discretion. Further claims, and in particular those for price reduction, cancellation of sale, compensation for damages or consequential damages, are excluded. The guarantee period is not altered by the fact that we have carried out guarantee work.
3. Unauthorized tampering with the equipment will invalidate this guarantee.
4. Consult your authorized dealer first, if guarantee service is needed. Should it prove necessary to return the component to the factory, please insure that • the component is packed in original factory packing in good condition • the quality control card has been filled out and enclosed with the component, • you enclose your receipt as proof of purchase.
5. Excluded from the guarantee are: • Illuminates • Wear parts • Shipping damages, either readily apparent or concealed (claims for such damages must be lodged immediately with forwarding agent, the railway express office or post office). • Scratches in cases, metal components, front panels, etc. (You must notify your dealer directly of such defects within three days of purchase.) • Defects caused by incorrect installation or connection, by operation errors (see operating instructions), by overloading or by external force. • Equipments which have been repaired incorrectly or modified or where the case has been opened by persons other than us. • Consequential damages to other equipments. • Reimbursement of costs, without our prior consent, when repairing damages by third parties.

F

Toutes nos félicitations!

Vous avez bien choisi et êtes le propriétaire heureux d'un produit MAGNAT. Les produits MAGNAT ont une excellente réputation pour leur bonne qualité. Pour cette raison, nous accordons 5 ans de garantie sur les haut-parleurs MAGNAT et 2 ans de garantie sur les amplificateurs MAGNAT. Les appareils sont soumis pendant toutes les opérations de fabrications à des contrôles et vérifications constants. Si, pourtant, vous rencontrez des difficultés avec votre appareil MAGNAT veuillez tenir compte de ce qui suit:

1. La garantie débute avec l'achat de l'appareil et est valable uniquement pour le premier propriétaire.
2. Pendant la période de garantie nous réparons les dommages provenant des défauts de matériel ou de fabrication et nous procédons, à notre guise, à l'échange ou à la réparation des pièces défectueuses.
3. Aucune réparation impropre ne doit avoir été effectuée à l'appareil.
4. Lors d'une demande de garantie, veuillez vous adresser en premier lieu à votre distributeur. Si ce dernier décide que l'appareil doit nous être retourné, veuillez tenir compte que: • l'appareil soit expédié dans son emballage d'origine, • la carte de contrôle dûment remplie soit jointe, • le bon d'achat soit joint.
5. Ne sont pas compris dans la garantie: • Matériel d'éclairage • Pièces d'usure • Avaries de transport, visibles ou non (de telles réclamations doivent être faites immédiatement auprès du transporteur, du chemin de fer ou de la poste). • Des rayures sur le boîtier, pièces métalliques, couvercles etc. (ces dommages doivent être signalés directement à votre distributeur dans les trois jours suivant l'achat). • Dommages résultant d'un raccordement incorrect, maniement incorrect (voir instructions de service), surcharge ou application de force extérieure. • Appareils réparés non conformément ou modifiés et qui ont été ouverts par une personne autre que nous. • Dommages ultérieurs à d'autres appareils. • Remboursement des frais à des tiers ayant effectué les réparations sans notre accord préalable.

GARANTIEKARTE

WARRANTY CARD

Typ/Type

Serien-Nr./Serial-No.

Name und Anschrift des Händlers/Stempel
Name and address of the dealer/stamp

Käufer/Customer

Name/Name

Straße/Street

PLZ, Ort/City

Land/Country

Kaufdatum/buying date

Nur gültig in Verbindung mit Ihrer Kaufquittung!
No warranty without receipt!

Magnat

Premium Audio Company Germany GmbH
Lise-Meitner-Str. 9 • 50259 Pulheim • Germany
Tel. +49 (0) 2234 807-0 • Fax +49 (0) 2234 807-399
www.magnat.de

